

SPT499



HENAN SPT MACHINERY
EQUIPMENT CO., LTD.

Mini Crawler Crane (Spider Crane)

International brand, EU standard
Intelligent, safe and more durable

SPT499



Max lifting height 17.5m



Capacity 5.0t×3.0m

Weight 6000kg

Working radius 16.50m

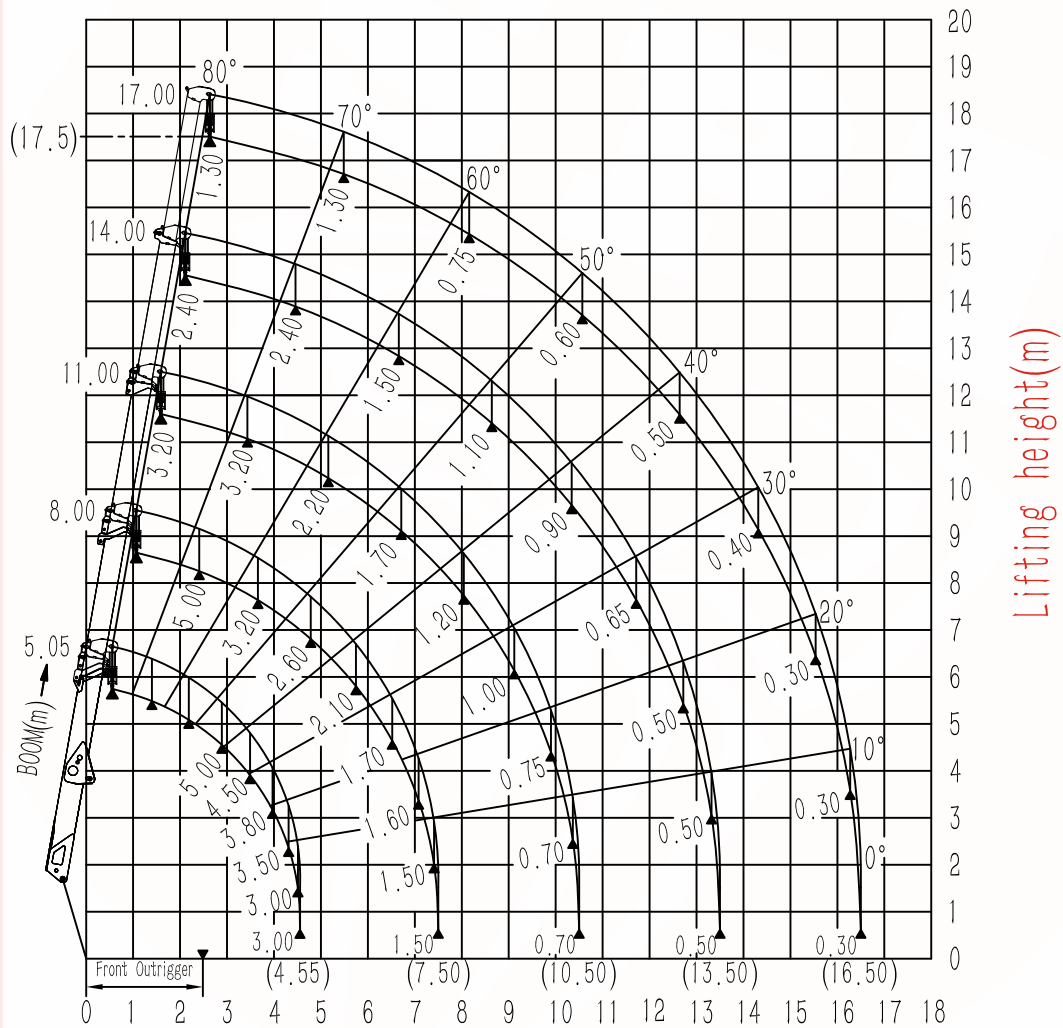
SPT499



Working Range Diagram Without Fly Jib

SPT499 Working Range Diagram

499-11
Weight: T

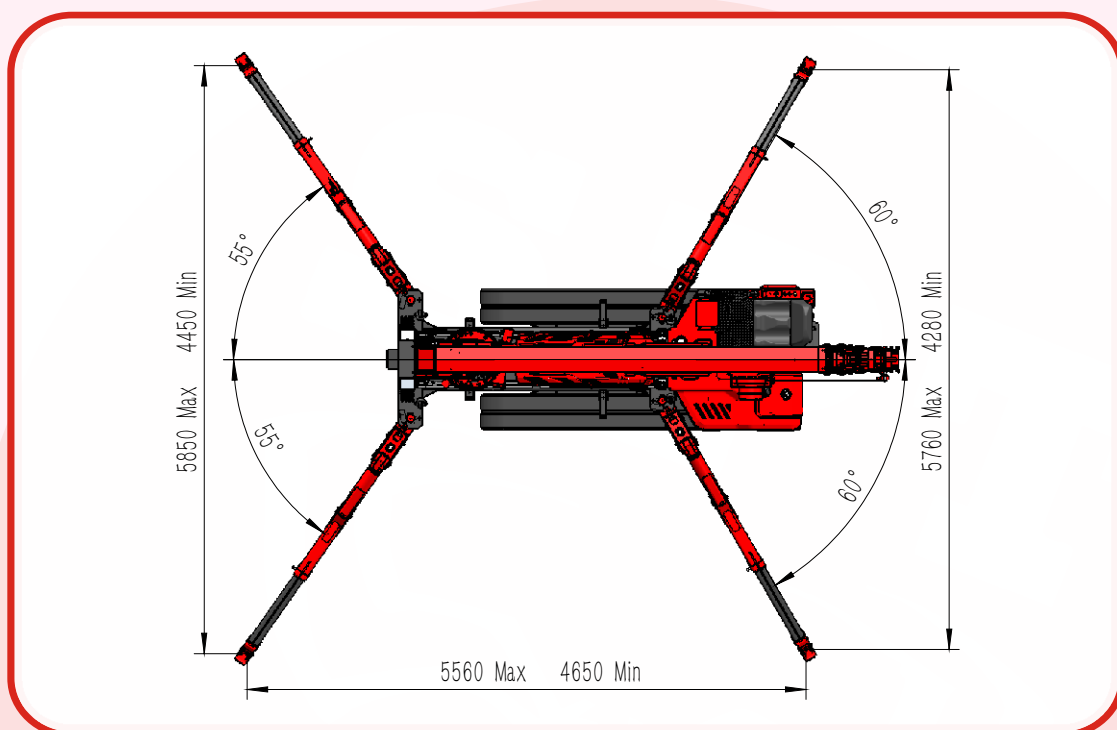


• Make outrigger at maximum position Radius of work(m)

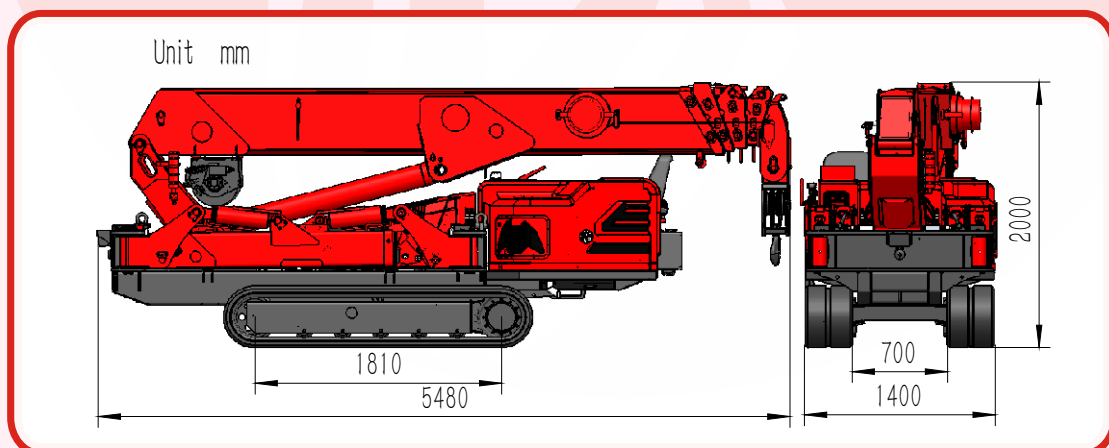
SPT499



Outrigger Footprints



Dimensions



SPT499



Specifications

Model	SPT499	
Capacity	5.0t × 3.0m	
Working radius	16.50m × 0.30t	
Ground lifting height	17.5Mx1.30t	
Underground lifting height	17.5mX2.5t 4fall 35mX2t 2fall 70mX1t 1fall	
Winch device	Hook speed	0–14m/min (4 fall)
	Rope type	Φ10mm × 80m
Telescopic system	Boom form	5section boom, hexagonal box construction
	Boom length/Time	5.05m–17.00m/45sec
Up and downs	Boom angle/Time	0–80° /18sec
Slew system	Slew angle/Speed	0–360° (continuous)/30sec
Outrigger	Outrigger active form	Manual+Hydraulic
	Maximum extended dimensions (mm)	5560(Length)X5850(Front)X5760(Back)
Traction system	Walking way	Hydraulic motor drive、2 speed
	Walking speed	0–2.5km/ h
	Grade ability	20° (36%)
	Ground length × width	1810mm × 350 mm
	Ground pressure	47kpa(0.48 kgf/cm ²)
Electric motor	Voltage	AC380V(Optional)
	Power/Speed	7.5kw/1440 min–1
	Sound level	Rated speed ≤ 78dB(A) (1m)
Diesel engine	Model	V1505(Kubota)
	Type/Displacement	4 cylinder water cooled/1.498L
	Rated output	18.5kw/2300 min–1
	Starting method	Electric
	Operating temperature	–5° C~40° C
	Fuel/Volume	Diesel/40L
	Battery capacity	12v 45AH
	Specific fuel consumption	264g/kw-h
	Sound Level	Rated speed ≤ 84dB(A) (1m)
Applied regulation/Altitude	EPA–Tier4, EC stage V/1200m	
Operate system	Type of operation	Wireless remote control and Dual axis joystick controller
	Operating characteristic	Full proportional control and Proportional joystick control
Dimension	Length × Width × Height	5480mm × 1400mm × 2000mm
Weight	Without optional equipment	6200kg
Standard configuration	Diesel engine, Electric motor, Radio remote control, Searcher hook, Black rubber track, Intelligent display screen, Moment limiter, Over hoist alarm and automatic stop device, Three–winding alarm and automatic stop device, Automatic hook stow, Outrigger position detector device, Outrigger off the ground alarm and automatic stop device, Slings rope detachment protector, EMO switch, Three color lamp, Remote control lamp, Voice prompt, Walking/Outrigger/Boom three–mode interlocksystem, Data records	
Optional configuration	Glass suction, White rubber track, Manual fly jib, Hydraulic fly jib, Single–man basket, Outrigger pads	

SPT499



■ Total rated load Outriggers at Maximum position(4fall)

Working radius m	Total rated load t				
	5.05 boom	8.00boom	11.00boom	14.00boom	17.00boom
2.50	5.00	5.00	3.20	2.40	—
3.00	5.00	4.00	3.20	2.40	1.30
3.50	4.50	3.30	3.20	2.40	1.30
4.00	3.80	3.00	3.00	2.40	1.30
4.55	3.00	2.70	2.70	2.40	1.30
5.00		2.50	2.20	2.20	1.30
6.00		2.00	1.90	1.60	1.00
7.00		1.60	1.60	1.40	0.90
7.50		1.50	1.40	1.30	0.80
8.00			1.20	1.20	0.75
9.00			1.00	1.10	0.70
10.00			0.75	0.95	0.65
10.50			0.70	0.90	0.65
11.00				0.70	0.60
12.00				0.65	0.55
13.00				0.50	0.50
13.50				0.50	0.45
14.00					0.40
15.00					0.35
16.00					0.35
16.50					0.30